

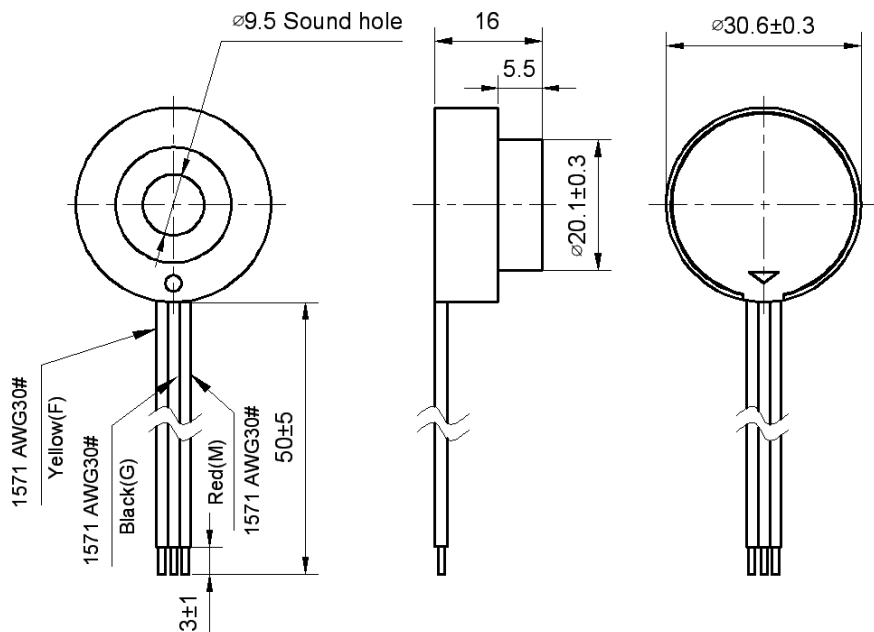
**PIEZO BUZZER**

1	Model	EPT3016- 3212L50
2	Rated Voltage (VDC)	12
3	Operating Voltage (VDC)	5.5~16
4	*Rated Current(mA)	≤30
5	*Sound Output at 300cm(dB)	≥85
6	*Resonance Frequency (Hz)	3250±500
7	Operating Temperature(°C)	-25~+85
8	Storage Temperature(°C)	-30~+85
9	Weight (g)	6.3
10	Housing Material	PPO+20%glass fiber
11	RoHS	Yes

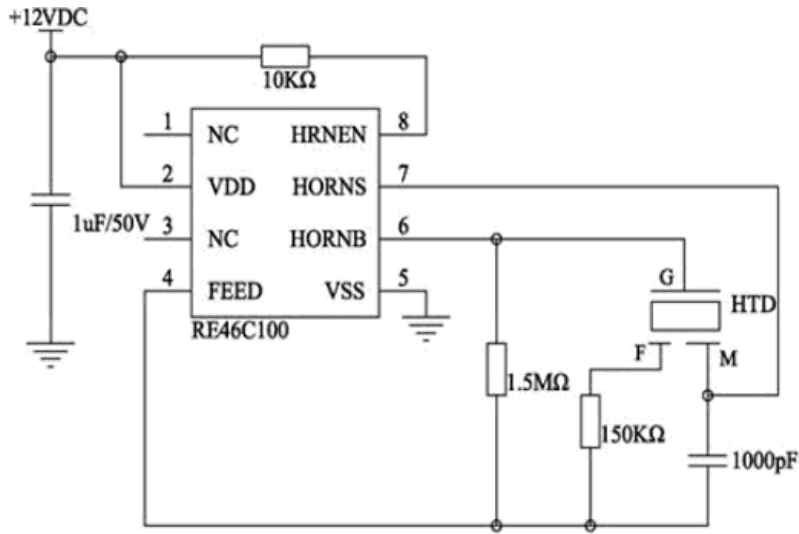
\*Value applying rated voltage (DC)

**DIMENSIONS (UNIT: mm)**

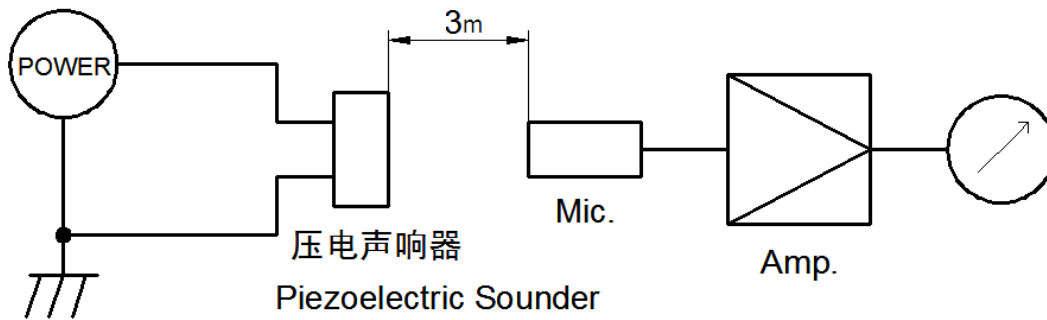
Tolerance: ±0.5mm Except Specified



**SELF-Oscillation CIRCUIT:**



**TEST METHOD:**



MIC: ND10 普通声级计或等同品  
 MIC: ND10 Sound Meter or equivalent

稳压电源: QJ6003S或等同品  
 DC Power Supply: QJ6003S or equivalent

# NINGBO SANCO ELECTRONICS CO., LTD.

## RELIABLE TEST:

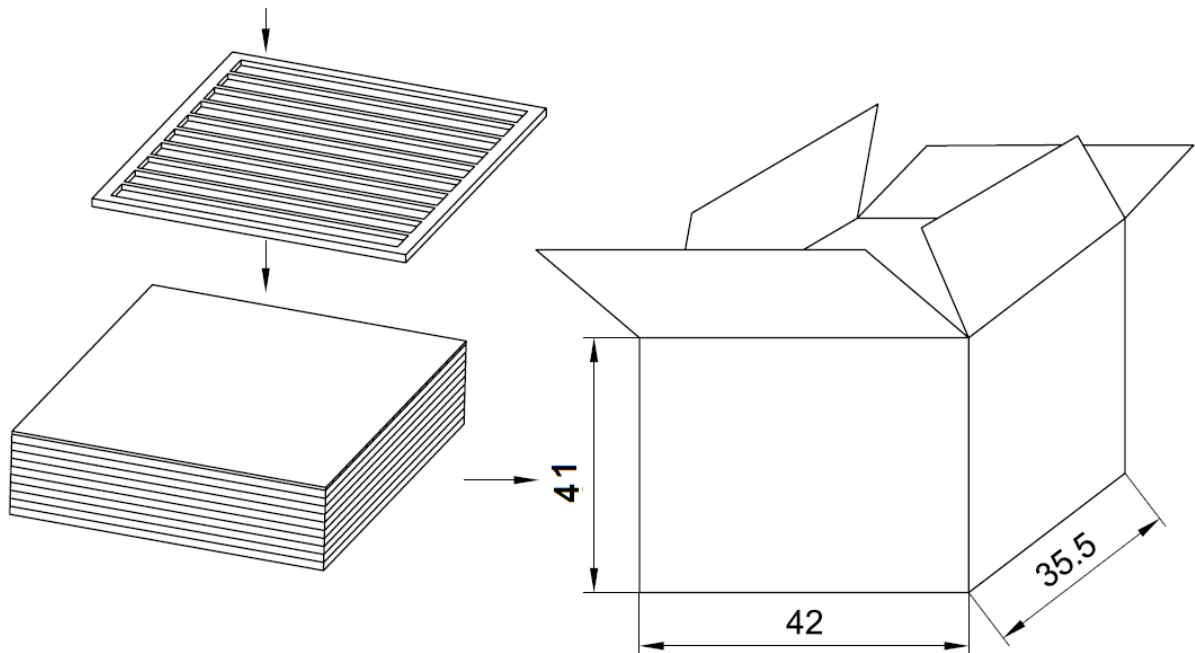
No.	Item	Test condition	Evaluation standard
1	Solder ability	Pin terminals are immersed in rosin for 5 seconds and then immersed in solder bath of $270\pm 5^{\circ}\text{C}$ for $3\pm 1\text{s}$ .	90% min. lead terminals shall be wet with solder. (Except the edge of terminal)
2	lead wire pull strength	The pull force shall be applied to double lead wire: Horizontal 3.0N for 30 seconds; Vertical: 2.0N for 30seconds.	NO damage and cutting off
3	Vibration	The part shall be subjected to a vibration cycle is 10Hz in a period of 1 minute. Total peak amplitude shall be 1.52mm(9.3g). The vibration test shall consist of 2 hours per plane in each three mutually perpendicular planes for a total time of 6 hours.	The value of current consumption/frequency should be in $\pm 10\%$ compared with initial ones. The SPL should be in $\pm 10\text{dB}$ compared with initial one.
4	Drop test	The part only shall be dropped from the height of 70cm onto 10mm thick wooden board each 3 times in 3 axial directions(x,y&z) (a total of 9 times).	
5	High temp. test	$+85\pm 2^{\circ}\text{C}$ for 96Hrs	After Being placed for 2 to 4hrs at room temp, part shall be tested. The value of current consumption/frequency should be in $\pm 10\%$ compared with initial ones. The SPL should be in $\pm 10\text{dB}$ compared with initial one.
6	Low temp. test	$-30\pm 2^{\circ}\text{C}$ for 96Hrs	
7	Humidity test	$40\pm 2^{\circ}\text{C}$ and 93(+2/-3)%RH for 96Hrs	
8	Temp. cycle test	$-30\pm 2^{\circ}\text{C}$ , 30minutes room temp. 15 minutes $+85\pm 2^{\circ}\text{C}$ , 30 minutes room temp. 15 minutes 5 cycles	
<b>Warranty: For a period of one(1)year from date of manufacture under normal operation</b>			

**NINGBO SANCO ELECTRONICS CO., LTD.**

Tel: +86-574-83851068; Fax: +86-574-83851096

E-mail: sales@sancoelectronics.com

**PACKING:**



**NOTES:**

- 1.100PCS per plate
- 2.Total 20 plates per carton
- 3.Total 2000PCS a carton
- 4.Volume:42 \*35.5\*41cm